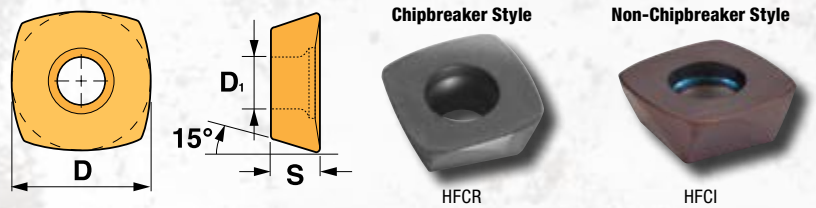


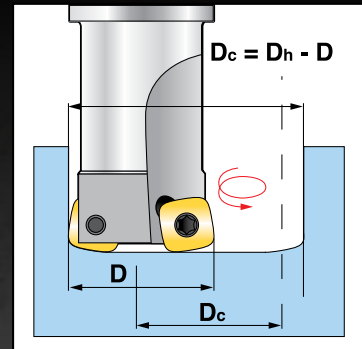
High Feed Indexable Milling Program Tools



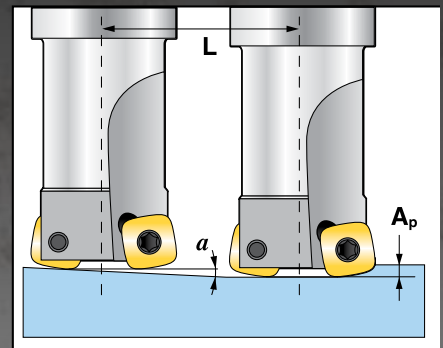
Insert Data						
Tool Ordering Number	Dimensions			Grade		CAM
	D	S	D1	XRN	HSN	R
HFCI-09T3	.375	.156	.133	•	•	0.089
HFCI-1204	.500	.187	.173	•	•	0.138
HFCR-09T3	.375	.156	.133	•	•	0.089
HFCR-1204	.500	.187	.173	•	•	0.138

Machining Application Data						
Tool Ordering Number	Dimensions				Helical Interpolation	
	ØD	ØDh	Ap	F	ØDh min	ØDh max
HFSC-1000/3	1.000	9mm	0.040	0.500	1.400	1.900
HFSC-1250/4	1.250	9mm	0.040	0.750	1.800	2.250
HFSC-1500/4	1.500	12mm	0.040	0.800	2.000	2.500
HFSS-1000-5.5-1000	1.000	9mm	0.040	0.500	1.500	1.900
HFSS-1000-7.0-1000	1.000	9mm	0.040	0.500	1.500	1.900
HFSS-1250-6.0-1250	1.250	9mm	0.040	0.800	1.000	2.500
HFSS-1250-8.0-1250	1.250	9mm	0.040	0.800	1.000	2.500
HFSS-1500-6.0-1500	1.500	12mm	0.040	1.125	1.250	3.000
HFSS-1500-9.0-1500	1.500	12mm	0.066	0.800	1.250	3.000
HFA-1500/4	1.500	12mm	0.066	1.000	2.500	3.250
HFA-2000/5	2.000	12mm	0.066	1.250	3.125	3.750
HFA-2500/6	2.500	12mm	0.066	1.900	4.000	4.750
HFA-3000/7	3.000	12mm	0.066	2.500	5.500	6.000
HFA-4000/8	4.000	12mm	0.066	3.250	7.000	7.750

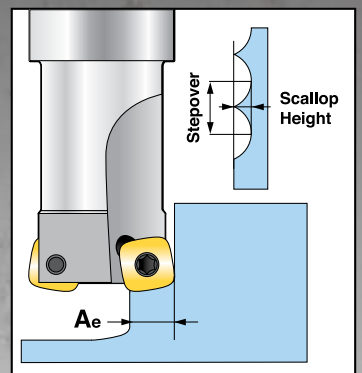
Helical Interpolation



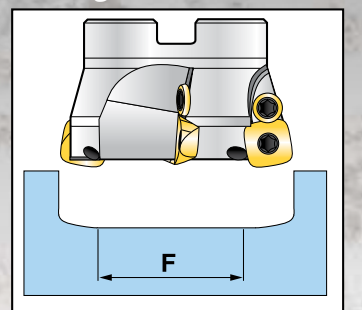
Slant Milling



Plunge Milling



Facing - Max Flat



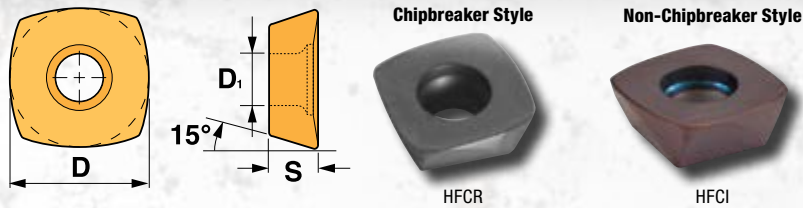
- For Slant Milling or Helical Interpolation decrease the recommended feed by 30%.
- In case of Helical Interpolation do not exceed the max Ap/revolution.
- For Plunging use 50% of recommended feed only.
- For insert HFCI 09T3 the max Ae is: 0.200
- For insert HFCI 1204 the max Ae is: 0.250

The values of “n” and “Vf” in the tables on the following pages are computed. In the application, use the closest (up side) speed from the range of the machine tool.

The cutting parameters have to be adjusted accordingly to the rigidity of the machine-tool and working piece.

In case of hard steel alloy of 50-55 HRC decrease by 30% the Ap, Vc and feed.

High Feed Indexable Milling Program Tools



Insert Data

Tool Ordering Number	Dimensions			Grade		CAM
	D	S	D1	XRN	HSN	R
HFCl-09T3	9,525	3,97	4,4	•	•	2,27
HFCl-1204	12,700	4,76	3,4	•	•	3,52
HFCR-09T3	9,525	3,97	4,4	•	•	2,27
HFCR-1204	12,700	4,76	3,4	•	•	3,52

Machining Application Data

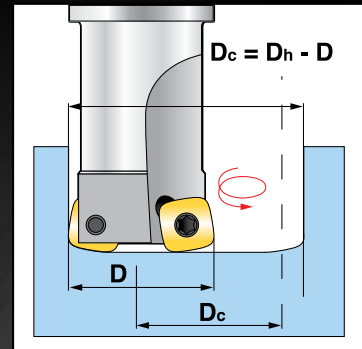
Tool Ordering Number	Dimensions				Helical Interpolation	
	ØD	ØDh	Ap	F	ØDh min	ØDh max
HFSC-20/2	20	9	1	8,8	26,3	38,1
HFSC-25/3	25	9	1	13,8	36,3	48,1
HFSC-30/4	30	9	1	18,8	46,3	58,1
HFSC-32/4	32	9	1	20,8	50,3	62,1
HFSC-32/3	32	12	1,7	15,4	44,6	61,8
HFSC-42/4	42	12	1,7	25,4	64,6	81,8
HFSS-20-110-20	20	9	1	8,8	26,3	38,1
HFSS-25-100-25	25	9	1	13,8	36,3	48,1
HFSS-25-140-25	25	9	1	13,8	36,3	48,1
HFSS-25-240-25	25	9	1	13,8	36,3	48,1
HFSS-32-140-32	32	9	1	20,8	50,3	62,1
HFSS-32-240-32	32	9	1	20,8	50,3	62,1
HFSS-40-140-32	40	9	1	28,8	66,3	78,1
HFSS-40-240-32	40	12	1,7	23,4	60,6	77,8
HFSS-20-110-20	20	12	1,7	8,8	26,3	38,1
HFA-42/4	42	12	1,7	25,4	64,6	81,8
HFA-50/5	50	12	1,7	33,4	80,5	97,8
HFA-52/5	52	12	1,7	35,4	84,5	101,8
HFA-63/6	63	12	1,7	46,4	106,5	123,8
HFA-66/6	66	12	1,7	49,4	112,5	129,8
HFA-80/7	80	12	1,7	63,4	140,5	157,8

- For Slant Milling or Helical Interpolation decrease the recommended feed by 30%.
- In case of Helical Interpolation do not exceed the max Ap/revolution.
- For Plunging use 50% of recommended feed only.
- For insert HFCl 09T3 the max Ae is: 0.200 • For insert HFCl 1204 the max Ae is: 0.250

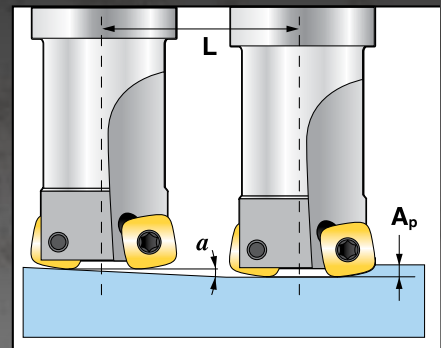
The values of "n" and "Vf" in the tables on the following pages are computed. In the application, use the closest (up side) speed from the range of the machine tool. The cutting parameters have to be adjusted accordingly to the rigidity of the machine-tool and working piece.

In case of hard steel alloy of 50-55 HRC decrease by 30% the Ap, Vc and feed.

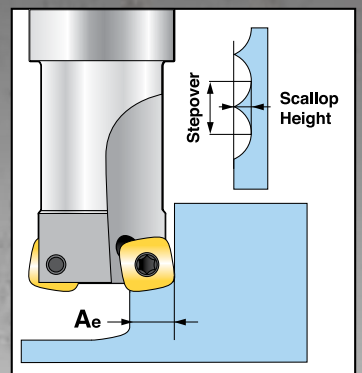
Helical Interpolation



Slant Milling



Plunge Milling



Facing - Max Flat

